

programmable actuators



FEATURES

8010 Series:

- Stand-alone unit includes three dials for easy programming
- Waterproof design in both the programmable actuator and the battery compartment - proper installation allows unit to be completely submersible in up to 6 feet of water
- Solenoid and battery compartment are compact and made of durable nylon with protective cover included
- Operates on a single 9 volt Energizer® alkaline battery for one year (not included)
- Latching solenoid design uses minimal battery consumption
- Resistant to the hazards of lightning and power surges commonly seen in AC systems
- Compatible with most valves via adapters
- Programmable clock for real time operation
- Automatic watering up to two times per day
- Watering times from one minute to 5½ hours
- Manual ON and OFF
- 2 year warranty on materials and workmanship

8014/8014SR/8013E/8015/8016 Series:

- Long life factory installed lithium battery. Actual battery life will depend on the number of cycles run per year, valve size, operating pressure, and temperature. The battery is replaceable and is available as a service part.
- Signature exclusive Select&Adjust™ programming makes programming fast and easy
- LCD displays clock and programming
- Timed manual on and off
- Length of watering time: 1 minute to 12 hours
- Six watering programs available per day
- Mist Cycle available on Program 6
- Days of the week, Odd/Even, and Interval scheduling
- Rain Delay is programmable from 1 to 99 days
- Fits Signature valve models 7900 1" series, 9000 1" series, 9501 and the 9502 series valves
- Leap year compatible-automatically includes Feb 29th every four years
- Waterproof design is submersible in up to 6 feet of water
- Two wires on the "SR" version allows any normally open/normally closed sensor to be hooked up to it (switch has to be closed for the 8014 to operate). Sensors can be up to 25 feet away.
- 2 year warranty on materials and workmanship

8010
Programmable Actuator

8014
DuraLife Valve Actuator

8014SR
DuraLife Valve Actuator
with Sensor Ready

8013E
DuraLife Valve Actuator with
1" (9003) valve

8015 (8015E)
DuraLife Valve Actuator with
1" (7901/7916) valve

8016E
DuraLife Valve Actuator with
1" union (9501) valve

SPECIFICATIONS

Overall Dimensions:

- 4½" H x 2¾" W x 1¾" D (8010)
- 5½" H x 3½" Dia. (8014, 8014SR)
- 7⅝" H x 5" W x 3" D (8013E)
- 7½" H x 4" W x 3½" D (8015, 8015E)
- 8⅝" H x 5½" W x 3½" D (8016E)

Electrical:

- One 9V Energizer® alkaline battery (not included) (8010)
- Factory installed 3.6 V size AA lithium battery (8014, 8014SR, 8013E, 8015, and 8016E)

IP68DW

VALVE COMPATIBILITY CHARTS

8010 ADAPTERS	
<i>Signature adapter (sold with Model 8010)</i>	
<i>compatible with Signature's NE adapter:</i>	
7901 / 7916(BSP)	7911 / 7917(BSP)
7931	7941
7951 / 7971(BSP)	7952 / 7972(BSP)
7953 / 7973(BSP)	
9001	9011
9002	9012
9003	9013
9004	9014
9501	9501FC
9502	
7981 / 7991(BSP)**	7982 / 7992(BSP)**
<i>Hardie adapter: Model 77422*</i>	
Hardie 100, 700, 2400	Hardie 623 DPR**
Irritrol 216	Superior 950, 800
Hit 510	Bermad 1"
Buckner 20021, 20321	Dorot 1"
Griswold 1"	Galcon 1"
Richdel 205TE, 711APR, 713 APR	
<i>Toro adapter: Model 77423*</i>	
Toro Flo-pro	
<i>Rainbird adapter: Model 77424*</i>	
Rainbird:	
PEB, DV, DVF, ASVF, EFB-CP, GB, PGA	
* Sold separately ** No adapter required for these valves	
8014 and 8020 DC ADAPTERS*	
<i>Model 77467</i>	
ALL IRRITROL VALVES	
SIGNATURE**:	
7937/7987 (BSP)	7938/7988 (BSP)
<i>Model 77468</i>	
Rainbird:	
PEB, DV, DVF, ASVF, EFB-CP, GB, PGA, PESB, BPE, BPES	
<i>Model 77481</i>	
Weathermatic:	
ALL WEATHERMATIC VALVES	
<i>Model 77516</i>	
Hunter:	
ALL HUNTER VALVES	
<i>Model 77526</i>	
Toro:	
252 SERIES	
* Sold separately ** No adapter required for these valves	

programmable actuators



8021
1 zone Battery Powered Controller Kit

8022
2 zone Battery Powered Controller Kit

8024
4 zone Battery Powered Controller Kit

8026
6 zone Battery Powered Controller Kit

Kit includes: Controller, Solenoids,
3M Gel Connectors, 2 Mounting
Options & Common Jumper Wires

8021C
1 zone controller only

8022C
2 zone controller only

8024C
4 zone controller only

8026C
6 zone controller only

SPECIFICATIONS

Overall Dimensions:

4¼" H x 3¼" D

Electrical:

Two Energizer® alkaline AA batteries
(not included)

IP68DW

8014 and 8020 DC ADAPTERS*

Model 77467

ALL IRRITROL VALVES

SIGNATURE**:

7937/7987 (BSP)

7938/7988 (BSP)

Model 77468

Rainbird:

PEB, DV, DVF, ASVF, EFB-CP, GB,
PGA, PESB, BPE, BPES

Model 77481

Weathermatic:

ALL WEATHERMATIC VALVES

Model 77516

Hunter:

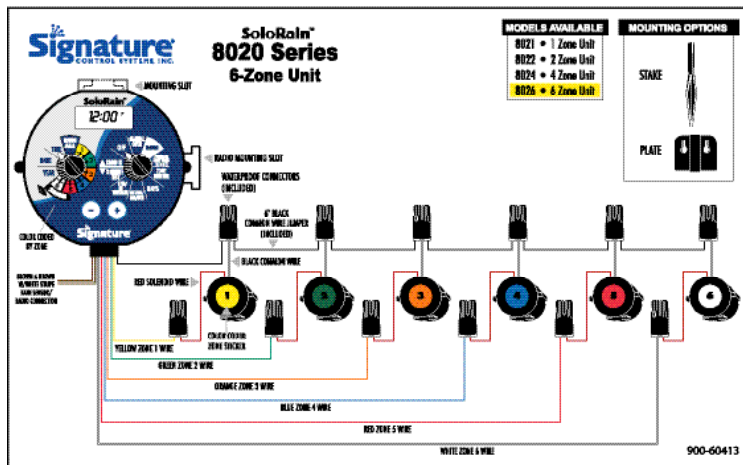
ALL HUNTER VALVES

Model 77526

Toro:

252 SERIES

* Sold separately ** No adapter required for these valves



programmable actuators

programmable actuators



8020DC

Latching Solenoid

8020P

8020 Series Mounting Plate

8020S

8020 Series Mounting Stake

8020GC

8020 Series Waterproof Connectors
(16 qty)

FEATURES

8020 Series:

- Available in 1, 2, 4, and 6 zones
- Three start times per program (9 total start times)
- Three independent programs
- Length of programmable watering time (1min to 3hr 59min per zone)
- Four scheduling options to suit the need of plant material or to comply with watering restrictions (days of the week, 1-30 day interval, true odd/even)
- Leap year compatible (automatically includes February 29th)
- 0-200% Water budget programming
- Three test cycles (manual open, cycle, and 3min test)

- Color coded label, wires and solenoid stickers make wiring /zone identification quick and easy!
- Can have up to 250ft of 18awg direct burial wire between the solenoid and the 8020 Series Controller (Must use Waterproof connectors for splice or your warranty is void)
- Long life battery*
- Operates RainBird® & Hunter® DC latching Solenoids (makes for an easy controller replacement)
- 2 year warranty on material and workmanship

* Battery Life will vary depending on environmental conditions and number of zones. Test results have shown 2-3 years of battery life.